

D 5.8 ProGraph Economy

High temperatur sheet gasket from expanded graphite with stainless steel foil reinforcement

Characteristics

- One layer of 0.05 mm stainless steel carrier (3 mm thickness 2 layers) with graphite on both sides fixed by a special only 10 µm thick adhesive coating.
- Purity 98 %
- Practically no cold flow or creep under temperature
- Excellent in use at cycling temperatures
- Very good sealability even at low gasket stress.

Operating range

p_{max} [psi]	580
$t^{\circ}F$	-420 ... +1020
pH	0 - 14

Temperature: in oxidizing atmosphere
+840 °F

Main application

- Suitable for sensitive flange connections
- Housings of pumps and fittings

Suitable for

- In all industries

Approvals

- BAM
- DVGW

Variant

Type D 5.2 with 0.05 mm / 0.002" stainless steel foil reinforcement

Form of delivery

- Gasket sheet size of 40" x 40" in thickness of 0.02" / 0.03" / 0.04" / 0.06" / 0.08" / 0.12" or cut gaskets according to drawing, or EN and international Standards.
- Special dimensions on request.



All technical information and advice is based on our experience and will be given most conscientiously but without any liability.

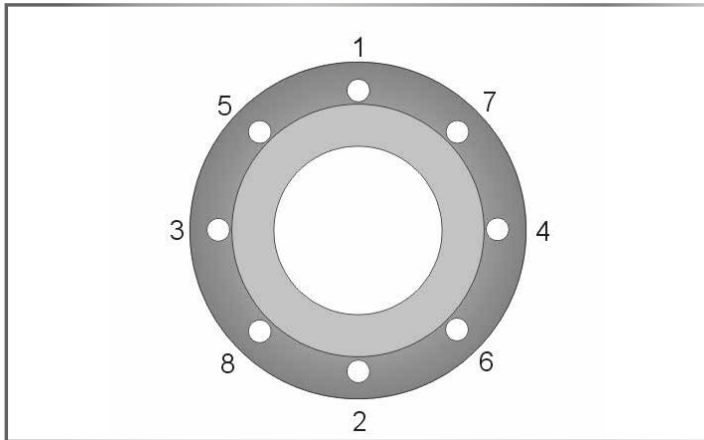
Indication and figures are for guidance only and need to be examined by the user. All sizes are subject to manufacturing tolerances. We reserve the right to modify specifications at any time. Please note that the technical values cannot be used all at the same time in their maximum values.

ProPack AG

Rudolf-Diesel-Ring 28 . 82054 Sauerlach . Germany

Phone ++49 (0) 8104 6640 0 . Fax ++49 (0) 8104 6640 44
propack@propack.ag

www.propack.ag
TECHNOLOGY MADE IN GERMANY



Installation

Clean sealing surface completely. Remove any dirt, corrosion, grease or remainders from old sealing materials.

- Position gasket centric on the sealing surface. Take extra care on vertical assemblies. First tighten bolts finger-tight.

Then continue at least with 4 progressive torque sequences with a torque wrench, always torque crosswise as shown in the sketch (see fig. 1). Apply 25%, 50%, 75% and 100% of the recommended gasket stress.

- Always follow the state-of-the-art guidelines for gasket assembly as well as the recommended torque for your sealing system.
- Notes of the flange manufacturer and recommended torques for the sealing system (flange, bolt, gasket) need to be followed.

Gasket sheets technical data

	Compressibility ASTM F36 %	Recovery ASTM F36 %	PQR EN13555	Pressure [*] max [*] psi	Temp (Material) [*] max [*] °F	Material	Q _{min} EN13555 (MPa)	Q _{Smin} EN13555 (MPa)	Q _{Smax} EN13555 (MPa)
D 5.8 ProGraph Economy	40	12	0.97 @ 300 °F; QA=50MPa	580	1020	expanded graphite with stainless steel foil	21	5	200

*The max values of pressure and temperature cannot be used at the same time

The provided Pressure and Temperature data is based on optimal installation condition and steady control of the flange connection

Gasket properties following EN 13555 (2 mm / 0.08" thickness) Q_{min}@580 psi He, 0.01 mg/(ms) and

Q_{Smin}@QA 40 Mpa He, L=0.01

(1) Q_{Smin} @ QA 30 MPa, 580 psi He, L=0.01

(2) Q_{Smin} @ QA 60 MPa, 580 psi He, L=0.01

Q_{Smax} @ RT

All technical information and advice is based on our experience and will be given most conscientiously but without any liability.

Indication and figures are for guidance only and need to be examined by the user. All sizes are subject to manufacturing tolerances. We reserve the right to modify specifications at any time.

Please note that the technical values cannot be used all at the same time in their maximum values.

ProPack AG

Rudolf-Diesel-Ring 28 . 82054 Sauerlach . Germany

Phone ++49 (0) 8104 6640 0 . Fax ++49 (0) 8104 6640 44

propack@propack.ag

www.propack.ag

TECHNOLOGY MADE IN GERMANY

