

### D 3.6 ProFlon White

100 % virgin PTFE, modified and filled with Barium sulfate

#### Characteristics

- Protected against cold flow
- Excellent recovery
- Excellent chemical resistance in caustic applications
- Reduced leakage rates compared to other filled PTFE gaskets under the same gasket stress.

#### Operating range

$p_{max}$ [bar]	75
$t$ °C	-210 ... +260
pH	0 - 14

Recommended application range vacuum up to 40 bar, at -100 °C to +200 °C.

#### Main application

- Steel-, Glass-, Ceramic-, glass lined or plastic flanges on pipework
- Vessel
- Container
- Reactors

#### Suitable for

- Chemical and Petrochemical industry

#### Approvals

- TA Luft VDI 2440 and VDI 2290
- FDA



#### Article code / Thickness

D 3.6 WHITE 08 / 0,8 mm  
D 3.6 WHITE 10 / 1,0 mm  
D 3.6 WHITE 15 / 1,5 mm  
D 3.6 WHITE 20 / 2,0 mm  
D 3.6 WHITE 30 / 3,0 mm

#### Form of delivery

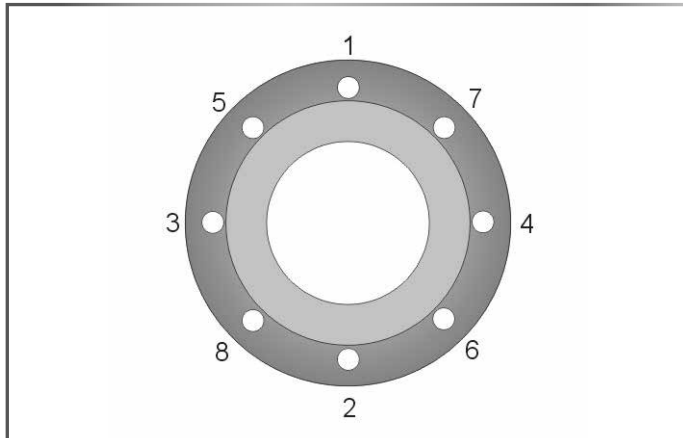
Gasket sheet size of 1,500 x 1,500 mm in thickness of 0.8/1.0/1.5/2.0/3.0 mm or cut gaskets according to drawing or EN and international Standards, special dimensions on request.



All technical information and advice is based on our experience and will be given most conscientiously but without any liability.

Indication and figures are for guidance only and need to be examined by the user. All sizes are subject to manufacturing tolerances. We reserve the right to modify specifications at any time.

Please note that the technical values cannot be used all at the same time in their maximum values.



### Installation

Clean sealing surface completely. Remove any dirt, corrosion, grease or remainders from old sealing materials.

- Position gasket centric on the sealing surface. Take extra care on vertical assemblies. First tighten bolts finger-tight.

Then continue at least with 4 progressive torque sequences with a torque wrench, always torque crosswise as shown in the sketch ( see fig. 1 ). Apply 25%, 50%, 75% and 100% of the recommended gasket stress.

- Always follow the state-of-the-art guidelines for gasket assembly as well as the recommended torque for your sealing system.

- Notes of the flange manufacturer and recommended torques for the sealing system ( flange, bolt, gasket ) need to be followed.

### Gasket sheets technical data

	Compressibility ASTM F36 %	Recovery ASTM F36 %	PQR EN13555	Pressure* max* bar	Temp (Material)* max* °C	Material	Q <sub>min</sub> EN13555 (MPa)	Q <sub>Smin</sub> EN13555 (MPa)	Q <sub>Smax</sub> EN13555 (MPa)
D 3.6 ProFlon White	12	>40	0.48 @ 150 °C; 30MPa	75	260	sPTFE with BaSO4	15	<10	100

\*The max values of pressure and temperature cannot be used at the same time Recommended application range vacuum up to 40 bar, at -100 °C to +200 °C.

The provided Pressure and Temperature data is based on optimal installation condition and steady control of the flange connection

Gasket properties following EN 13555 (2 mm thickness)

Q<sub>min</sub>@40bar He, 0,01 mg/(sm)

Q<sub>Smin</sub> @ QA 30MPa,40bar He, L=0,01

Q<sub>Smax</sub> @ RT

All technical information and advice is based on our experience and will be given most conscientiously but without any liability.

Indication and figures are for guidance only and need to be examined by the user. All sizes are subject to manufacturing tolerances. We reserve the right to modify specifications at any time.

Please note that the technical values cannot be used all at the same time in their maximum values.